

ANDROID PANEL PC

IPC4-101AFC

IPC4 Android operating system-based industrial computers are all of which incorporate our independently developed industrial motherboards. With various configuration options to suit a wide array of application requirements, these computers boast a 3mm ultra-thin front frame that seamlessly integrates with various cabinet equipment. Their aluminum alloy structure, fanless fully closed design, and front panel with a pure flat wire drawing process ensure both durability and an elegant appearance. In addition, these systems are equipped with dust prevention and waterproof features, making them suitable for various environments. Furthermore, they offer excellent scalability, practicality, and EMC compatibility, making them a versatile choice for your computing needs.

FEATURES

- Ultra-slim 3mm Front Bezel for Embedded Cabinets
- IP65 Dust-Proof and Waterproof Flat Panel
- Industrial Motherboard with ARM Architecture
- EMC Anti-Electromagnetic Interference Compliance
- Industrial-Grade Protection for Versatile Environments
- SDK Package Included for Secondary Development Support
- Ultra-slim 3mm Front Bezel for Embedded Cabinets
- IP65 Dust-Proof and Waterproof Flat Panel



PRODUCT SPECIFICATIONS

Screen Parameters

LCD Size	10.1" TFT LCD
Resolution	1280×800
Viewing Angle	85/85/85/85 (L/R/U/D)
Colour	16.7M
Brightness	300 cd/m ²
Contrast Ratio	1000:1

Interface

HDMI	1* HDMI, Support HDMI Data Output, 1080p
USB	1*USB HOST + 1*USB OTG
LAN	1* LAN, Dual 1000M Adaptive Ethernet
AUDIO	1* Audio I/O, Support Audio Input and Output
Serial Port	2* RS232
Restart Key	Support (1*UBOOT)

Touch Screen

Touch Screen Type	10 Point Touch PCAP & Resistive
Light Transmittance	≥88%
Input Mode	Handwriting or Capacitive Pen
Controller Communication	USB

Power Parameters

Input Voltage	DC 12V
Static Power	18W

Dimensions

Outer	W 261.4 x H 185.4 x D 51 mm
Cut-Out	W 241.31 x H 165.37 mm

PRODUCT ORDERING CODES

Processor CPU	Body Color: Black		Body Color: Silver	
	PCAP	Resistive	PCAP	Resistive
RockChip RK3399	IPC4-101AFC-210-3399	IPC4-101AFC-220-3399	IPC4-101AFC-211-3399	IPC4-101AFC-221-3399
RockChip RK3568	IPC4-101AFC-210-3568	IPC4-101AFC-220-3568	IPC4-101AFC-211-3568	IPC4-101AFC-221-3568
RockChip RK3588	IPC4-101AFC-210-3588	IPC4-101AFC-220-3588	IPC4-101AFC-211-3588	IPC4-101AFC-221-3588

ANDROID PANEL PC

PROCESSOR MODELS | CPU

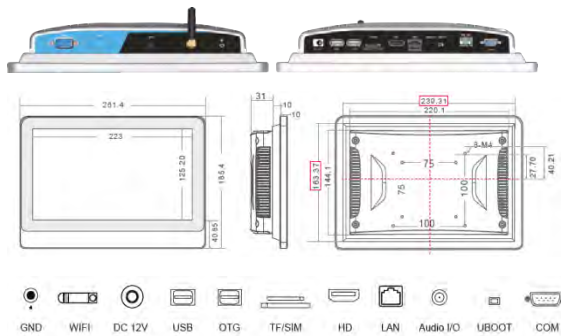


CPU	RockChip RK3399, Dual-2core Cortex-A72 1.8GHz + Quad-2core Cortex-A53 1.4GHz	RockChip RK3568, Quad-2core 64-bit Cortex-A55 Core Architecture, up to 2.0GHz	RockChip RK3588, Octa-2core 64-bit (4×Cortex-A76+4×Cortex-A55) at 2.4GHz
GPU	Mali-T860MP4	ARM Mali-G52 2EE	Mali-G610 MC4
NPU	-	Built-in NPU with 1TOPS AI computing power	Built-in NPU with 6TOPS AI Computing Power

RAM	4GB RAM (Onboard)	8GB RAM (Onboard)	8GB RAM (Onboard) Optional 16GB
NPU			
Storage	64GB eMMC (Onboard)	128GB eMMC (Onboard)	64GB eMMC (Onboard) Optional 128GB
Wi-Fi - Bluetooth	2.4GHz / 5.0GHz Dual Bands BT 4.0	2.4GHz / 5.0GHz Dual Bands BT 4.0	2.4GHz / 5.0GHz Dual Bands BT 4.0
Operating System	Android 7.1/9.0/11/ Ubuntu18.04/Debian10.0/ Linux4.4+QT	Android 12.0/ Linux 5.10	Android 12.0

Working Temperature	-10°C~60°C
Storage Temperature	-20°C~70°C
Relative Humidity	95% Non-Condensing
Vibration Protection	IEC 60068-2-64, 5 ~ 500 Hz, 1 hr/axis
Product Certification	CCC/CE/FCC/EMC/CB/ROHS
Impact Protection	IEC 60068-2-27, Half sine wave F 11ms
Product Certification	CCC/CE/FCC/EMC/CB/ROHS

DIMENSIONS AND INTERFACES



PRODUCT INSTALLATION TYPES



Embedded Installation	Wall Mounted Installation	Desktop Installation	Louver Installation	Cantilever Installation	Boom Type Installation
-----------------------	---------------------------	----------------------	---------------------	-------------------------	------------------------

ANDROID PANEL PC

IPC4-104AFC

IPC4 Android operating system-based industrial computers are all of which incorporate our independently developed industrial motherboards. With various configuration options to suit a wide array of application requirements, these computers boast a 3mm ultra-thin front frame that seamlessly integrates with various cabinet equipment. Their aluminum alloy structure, fanless fully closed design, and front panel with a pure flat wire drawing process ensure both durability and an elegant appearance. In addition, these systems are equipped with dust prevention and waterproof features, making them suitable for various environments. Furthermore, they offer excellent scalability, practicality, and EMC compatibility, making them a versatile choice for your computing needs.

FEATURES

- Ultra-slim 3mm Front Bezel for Embedded Cabinets
- IP65 Dust-Proof and Waterproof Flat Panel
- Industrial Motherboard with ARM Architecture
- EMC Anti-Electromagnetic Interference Compliance
- Industrial-Grade Protection for Versatile Environments
- SDK Package Included for Secondary Development Support
- Ultra-slim 3mm Front Bezel for Embedded Cabinets
- IP65 Dust-Proof and Waterproof Flat Panel



PRODUCT SPECIFICATIONS

Screen Parameters

LCD Size	10.4" TFT LCD
Resolution	1024×768
Viewing Angle	80/80/80/80 (L/R/U/D)
Colour	16.7M
Brightness	400 cd/m ²
Contrast Ratio	1000:1

Interface

HDMI	1* HDMI, Support HDMI Data Output, 1080p
USB	1*USB HOST + 1*USB OTG
LAN	2* LAN, Dual 1000M Adaptive Ethernet
AUDIO	1* Audio I/O, Support Audio Input and Output
Serial Port	2* RS232
Restart Key	Support (1*UBOOT)

Touch Screen

Touch Screen Type	10 Point Touch PCAP & Resistive
Light Transmittance	≥88%
Input Mode	Handwriting or Capacitive Pen
Controller Communication	USB

Power Parameters

Input Voltage	DC 12V
Static Power	18W

Dimensions

Outer	W 259.4 x H 224.7 x D 55.8 mm
Cut-Out	W 245.3 x H 200.6 mm

PRODUCT ORDERING CODES

Processor CPU	Body Color: Black		Body Color: Silver	
	PCAP	Resistive	PCAP	Resistive
RockChip RK3399	IPC4-104AFC-210-3399	IPC4-104AFC-220-3399	IPC4-104AFC-211-3399	IPC4-104AFC-221-3399
RockChip RK3568	IPC4-104AFC-210-3568	IPC4-104AFC-220-3568	IPC4-104AFC-211-3568	IPC4-104AFC-221-3568
RockChip RK3588	IPC4-104AFC-210-3588	IPC4-104AFC-220-3588	IPC4-104AFC-211-3588	IPC4-104AFC-221-3588

ANDROID PANEL PC

PROCESSOR MODELS | CPU



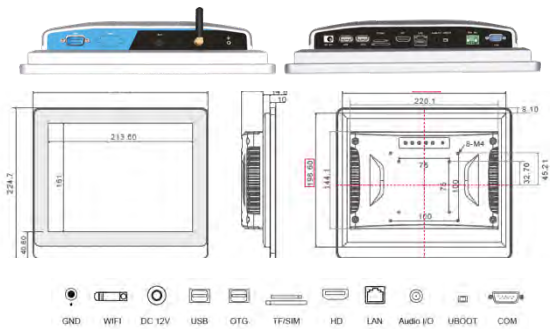
CPU	RockChip RK3399, Dual-2core Cortex-A72 1.8GHz + Quad-2core Cortex-A53 1.4GHz	RockChip RK3568, Quad-2core 64-bit Cortex-A55 Core Architecture, up to 2.0GHz	RockChip RK3588, Octa-2core 64-bit (4×Cortex-A76+4×Cortex-A55) at 2.4GHz
GPU	Mali-T860MP4	ARM Mali-G52 2EE	Mali-G610 MC4
NPU	-	Built-in NPU with 1TOPS AI computing power	Built-in NPU with 6TOPS AI Computing Power

RAM	4GB RAM (Onboard)	8GB RAM (Onboard)	8GB RAM (Onboard) Optional 16GB
NPU			
Storage	64GB eMMC (Onboard)	128GB eMMC (Onboard)	64GB eMMC (Onboard) Optional 128GB
Wi-Fi - Bluetooth	2.4GHz / 5.0GHz Dual Bands BT 4.0	2.4GHz / 5.0GHz Dual Bands BT 4.0	2.4GHz / 5.0GHz Dual Bands BT 4.0
Operating System	Android 7.1/9.0/11/ Ubuntu18.04/Debian10.0/ Linux4.4+QT	Android 12.0/ Linux 5.10	Android 12.0

Working Temperature	-10°C~60°C
Storage Temperature	-20°C~70°C
Relative Humidity	95% Non-Condensing
Vibration Protection	IEC 60068-2-64, 5 ~ 500 Hz, 1 hr/axis
Product Certification	CCC/CE/FCC/EMC/CB/ROHS
Impact Protection	IEC 60068-2-27, Half sine wave F 11ms
Product Certification	CCC/CE/FCC/EMC/CB/ROHS



DIMENSIONS AND INTERFACES



PRODUCT INSTALLATION TYPES



Embedded Installation	Wall Mounted Installation	Desktop Installation	Louver Installation	Cantilever Installation	Boom Type Installation
-----------------------	---------------------------	----------------------	---------------------	-------------------------	------------------------

ANDROID PANEL PC

IPC4-116AFC

IPC4 Android operating system-based industrial computers are all of which incorporate our independently developed industrial motherboards. With various configuration options to suit a wide array of application requirements, these computers boast a 3mm ultra-thin front frame that seamlessly integrates with various cabinet equipment. Their aluminum alloy structure, fanless fully closed design, and front panel with a pure flat wire drawing process ensure both durability and an elegant appearance. In addition, these systems are equipped with dust prevention and waterproof features, making them suitable for various environments. Furthermore, they offer excellent scalability, practicality, and EMC compatibility, making them a versatile choice for your computing needs.

FEATURES

- Ultra-slim 3mm Front Bezel for Embedded Cabinets
- IP65 Dust-Proof and Waterproof Flat Panel
- Industrial Motherboard with ARM Architecture
- EMC Anti-Electromagnetic Interference Compliance
- Industrial-Grade Protection for Versatile Environments
- SDK Package Included for Secondary Development Support
- Ultra-slim 3mm Front Bezel for Embedded Cabinets
- IP65 Dust-Proof and Waterproof Flat Panel



PRODUCT SPECIFICATIONS

Screen Parameters

LCD Size	11.6" TFT LCD
Resolution	1920×1080
Viewing Angle	80/80/80/80 (L/R/U/D)
Colour	16.7M
Brightness	300 cd/m ²
Contrast Ratio	1000:1

Interface

HDMI	1* HDMI, Support HDMI Data Output, 1080p
USB	1*USB HOST + 1*USB OTG
LAN	2* LAN, Dual 1000M Adaptive Ethernet
AUDIO	1* Audio I/O, Support Audio Input and Output
Serial Port	2* RS232
Restart Key	Support (1*UBOOT)

Touch Screen

Touch Screen Type	10 Point Touch PCAP & Resistive
Light Transmittance	≥88%
Input Mode	Handwriting or Capacitive Pen
Controller Communication	USB

Power Parameters

Input Voltage	DC 12V
Static Power	18W

Dimensions

Outer	W 305.9 x H 211.2 x D 48.5 mm
Cut-Out	W 278.51 x H 184.03 mm

PRODUCT ORDERING CODES

Processor CPU	Body Color: Black		Body Color: Silver	
	PCAP	Resistive	PCAP	Resistive
RockChip RK3399	IPC4-116AFC-210-3399		IPC4-116AFC-211-3399	
RockChip RK3568	IPC4-116AFC-210-3568		IPC4-116AFC-211-3568	
RockChip RK3588	IPC4-116AFC-210-3588		IPC4-116AFC-211-3588	

ANDROID PANEL PC

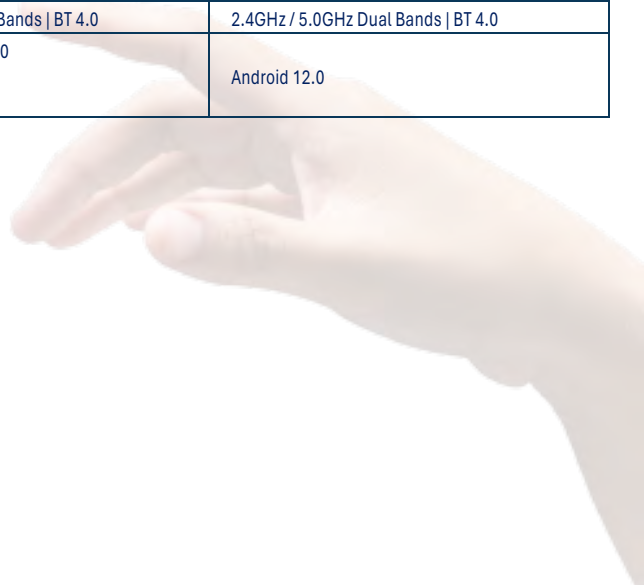
PROCESSOR MODELS | CPU



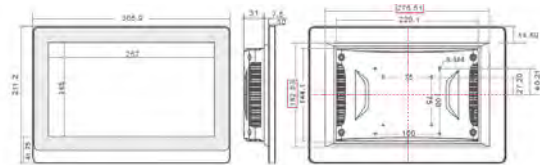
CPU	RockChip RK3399, Dual-2core Cortex-A72 1.8GHz + Quad-2core Cortex-A53 1.4GHz	RockChip RK3568, Quad-2core 64-bit Cortex-A55 Core Architecture, up to 2.0GHz	RockChip RK3588, Octa-2core 64-bit (4×Cortex-A76+4×Cortex-A55) at 2.4GHz
GPU	Mali-T860MP4	ARM Mali-G52 2EE	Mali-G610 MC4
NPU	-	Built-in NPU with 1TOPS AI computing power	Built-in NPU with 6TOPS AI Computing Power

RAM	4GB RAM (Onboard)	8GB RAM (Onboard)	8GB RAM (Onboard) Optional 16GB
NPU			
Storage	64GB eMMC (Onboard)	128GB eMMC (Onboard)	64GB eMMC (Onboard) Optional 128GB
Wi-Fi - Bluetooth	2.4GHz / 5.0GHz Dual Bands BT 4.0	2.4GHz / 5.0GHz Dual Bands BT 4.0	2.4GHz / 5.0GHz Dual Bands BT 4.0
Operating System	Android 7.1/9.0/11/ Ubuntu18.04/Debian10.0/ Linux4.4+QT	Android 12.0/ Linux 5.10	Android 12.0

Working Temperature	-10°C~60°C
Storage Temperature	-20°C~70°C
Relative Humidity	95% Non-Condensing
Vibration Protection	IEC 60068-2-64, 5 ~ 500 Hz, 1 hr/axis
Product Certification	CCC/CE/FCC/EMC/CB/ROHS
Impact Protection	IEC 60068-2-27, Half sine wave F 11ms
Product Certification	CCC/CE/FCC/EMC/CB/ROHS



DIMENSIONS AND INTERFACES



PRODUCT INSTALLATION TYPES



Embedded Installation	Wall Mounted Installation	Desktop Installation	Louver Installation	Cantilever Installation	Boom Type Installation
-----------------------	---------------------------	----------------------	---------------------	-------------------------	------------------------

ANDROID PANEL PC

IPC4-120AFC

IPC4 Android operating system-based industrial computers are all of which incorporate our independently developed industrial motherboards. With various configuration options to suit a wide array of application requirements, these computers boast a 3mm ultra-thin front frame that seamlessly integrates with various cabinet equipment. Their aluminum alloy structure, fanless fully closed design, and front panel with a pure flat wire drawing process ensure both durability and an elegant appearance. In addition, these systems are equipped with dust prevention and waterproof features, making them suitable for various environments. Furthermore, they offer excellent scalability, practicality, and EMC compatibility, making them a versatile choice for your computing needs.

FEATURES

- Ultra-slim 3mm Front Bezel for Embedded Cabinets
- IP65 Dust-Proof and Waterproof Flat Panel
- Industrial Motherboard with ARM Architecture
- EMC Anti-Electromagnetic Interference Compliance
- Industrial-Grade Protection for Versatile Environments
- SDK Package Included for Secondary Development Support
- Ultra-slim 3mm Front Bezel for Embedded Cabinets
- IP65 Dust-Proof and Waterproof Flat Panel



PRODUCT SPECIFICATIONS

Screen Parameters

LCD Size	12" TFT LCD
Resolution	1024×768
Viewing Angle	85/85/85/85 (L/R/U/D)
Colour	16.7M
Brightness	500 cd/m ²
Contrast Ratio	1000:1

Interface

HDMI	1* HDMI, Support HDMI Data Output, 1080p
USB	1*USB HOST + 1*USB OTG
LAN	2* LAN, Dual 1000M Adaptive Ethernet
AUDIO	1* Audio I/O, Support Audio Input and Output
Serial Port	2* RS232
Restart Key	Support (1*UBOOT)

Touch Screen

Touch Screen Type	10 Point Touch PCAP & Resistive
Light Transmittance	≥88%
Input Mode	Handwriting or Capacitive Pen
Controller Communication	USB

Power Parameters

Input Voltage	DC 12V
Static Power	18W

Dimensions

Outer	W 291.97 x H 250.5 x D 59.7 mm
Cut-Out	W 273.17 x H 216 mm

PRODUCT ORDERING CODES

Processor CPU	Body Color: Black		Body Color: Silver	
	PCAP	Resistive	PCAP	Resistive
RockChip RK3399	IPC4-120AFC-210-3399	IPC4-120AFC-220-3399	IPC4-120AFC-211-3399	IPC4-120AFC-221-3399
RockChip RK3568	IPC4-120AFC-210-3568	IPC4-120AFC-220-3568	IPC4-120AFC-211-3568	IPC4-120AFC-221-3568
RockChip RK3588	IPC4-120AFC-210-3588	IPC4-120AFC-220-3588	IPC4-120AFC-211-3588	IPC4-120AFC-221-3588

ANDROID PANEL PC

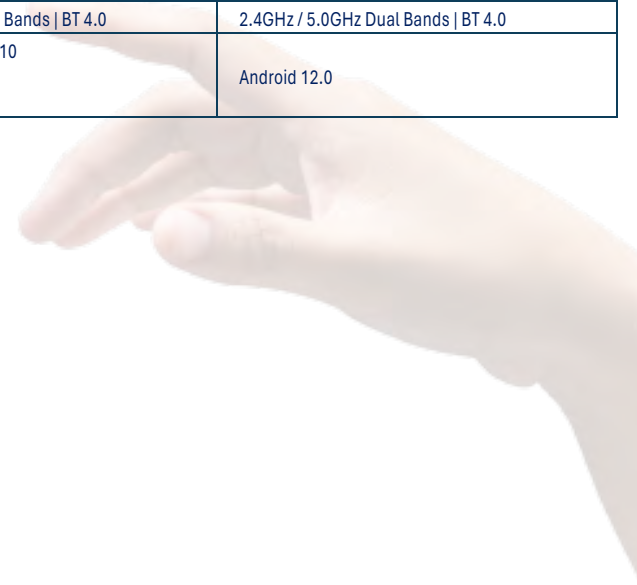
PROCESSOR MODELS | CPU



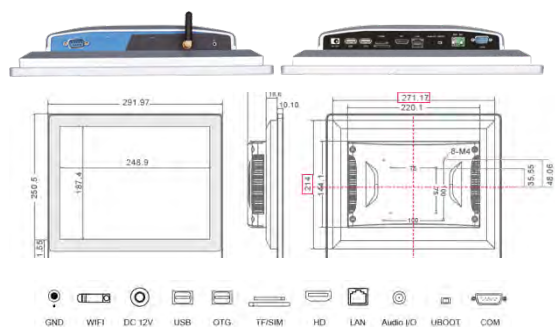
CPU	RockChip RK3399, Dual-2core Cortex-A72 1.8GHz + Quad-2core Cortex-A53 1.4GHz	RockChip RK3568, Quad-2core 64-bit Cortex-A55 Core Architecture, up to 2.0GHz	RockChip RK3588, Octa-2core 64-bit (4×Cortex-A76+4×Cortex-A55) at 2.4GHz
GPU	Mali-T860MP4	ARM Mali-G52 2EE	Mali-G610 MC4
NPU	-	Built-in NPU with 1TOPS AI computing power	Built-in NPU with 6TOPS AI Computing Power

RAM	4GB RAM (Onboard)	8GB RAM (Onboard)	8GB RAM (Onboard) Optional 16GB
NPU			
Storage	64GB eMMC (Onboard)	128GB eMMC (Onboard)	64GB eMMC (Onboard) Optional 128GB
Wi-Fi - Bluetooth	2.4GHz / 5.0GHz Dual Bands BT 4.0	2.4GHz / 5.0GHz Dual Bands BT 4.0	2.4GHz / 5.0GHz Dual Bands BT 4.0
Operating System	Android 7.1/9.0/11/ Ubuntu18.04/Debian10.0/ Linux4.4+QT	Android 12.0/ Linux 5.10	Android 12.0

Working Temperature	-10°C~60°C
Storage Temperature	-20°C~70°C
Relative Humidity	95% Non-Condensing
Vibration Protection	IEC 60068-2-64, 5 ~ 500 Hz, 1 hr/axis
Product Certification	CCC/CE/FCC/EMC/CB/ROHS
Impact Protection	IEC 60068-2-27, Half sine wave F 11ms
Product Certification	CCC/CE/FCC/EMC/CB/ROHS



DIMENSIONS AND INTERFACES



PRODUCT INSTALLATION TYPES



Embedded Installation	Wall Mounted Installation	Desktop Installation	Louver Installation	Cantilever Installation	Boom Type Installation
-----------------------	---------------------------	----------------------	---------------------	-------------------------	------------------------

ANDROID PANEL PC

IPC4-150AFC

IPC4 Android operating system-based industrial computers are all of which incorporate our independently developed industrial motherboards. With various configuration options to suit a wide array of application requirements, these computers boast a 3mm ultra-thin front frame that seamlessly integrates with various cabinet equipment. Their aluminum alloy structure, fanless fully closed design, and front panel with a pure flat wire drawing process ensure both durability and an elegant appearance. In addition, these systems are equipped with dust prevention and waterproof features, making them suitable for various environments. Furthermore, they offer excellent scalability, practicality, and EMC compatibility, making them a versatile choice for your computing needs.

FEATURES

- Ultra-slim 3mm Front Bezel for Embedded Cabinets
- IP65 Dust-Proof and Waterproof Flat Panel
- Industrial Motherboard with ARM Architecture
- EMC Anti-Electromagnetic Interference Compliance
- Industrial-Grade Protection for Versatile Environments
- SDK Package Included for Secondary Development Support
- Ultra-slim 3mm Front Bezel for Embedded Cabinets
- IP65 Dust-Proof and Waterproof Flat Panel



PRODUCT SPECIFICATIONS

Screen Parameters

LCD Size	15" TFT LCD
Resolution	1024×768
Viewing Angle	89/89/89/89 (L/R/U/D)
Colour	16.7M
Brightness	300 cd/m ²
Contrast Ratio	1000:1

Interface

HDMI	1* HDMI, Support HDMI Data Output, 1080p
USB	1*USB HOST + 1*USB OTG
LAN	2* LAN, Dual 1000M Adaptive Ethernet
AUDIO	1* Audio I/O, Support Audio Input and Output
Serial Port	2* RS232
Restart Key	Support (1*UBOOT)

Touch Screen

Touch Screen Type	10 Point Touch PCAP & Resistive
Light Transmittance	≥88%
Input Mode	Handwriting or Capacitive Pen
Controller Communication	USB

Power Parameters

Input Voltage	DC 12V
Static Power	18W

Dimensions

Outer	W 350.48 x H 296.42 x D 59.7 mm
Cut-Out	W 334.7 x H 261.6 mm

PRODUCT ORDERING CODES

Processor CPU	Body Color: Black		Body Color: Silver	
	PCAP	Resistive	PCAP	Resistive
RockChip RK3399	IPC4-150AFC-210-3399	IPC4-150AFC-220-3399	IPC4-150AFC-211-3399	IPC4-150AFC-221-3399
RockChip RK3568	IPC4-150AFC-210-3568	IPC4-150AFC-220-3568	IPC4-150AFC-211-3568	IPC4-150AFC-221-3568
RockChip RK3588	IPC4-150AFC-210-3588	IPC4-150AFC-220-3588	IPC4-150AFC-211-3588	IPC4-150AFC-221-3588

ANDROID PANEL PC

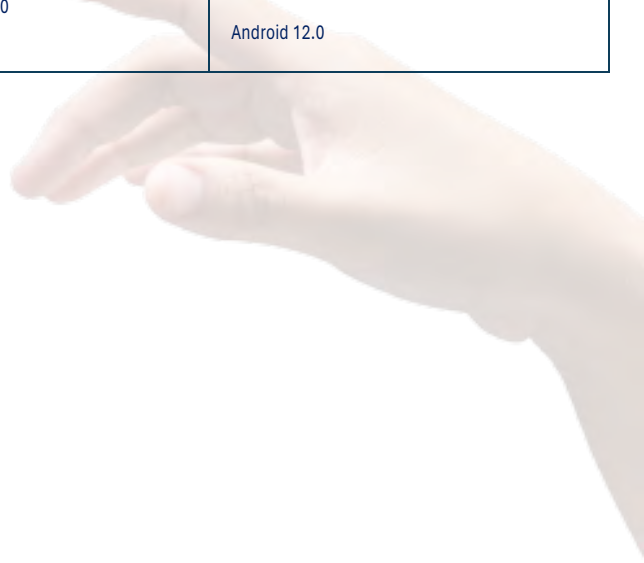
PROCESSOR MODELS | CPU



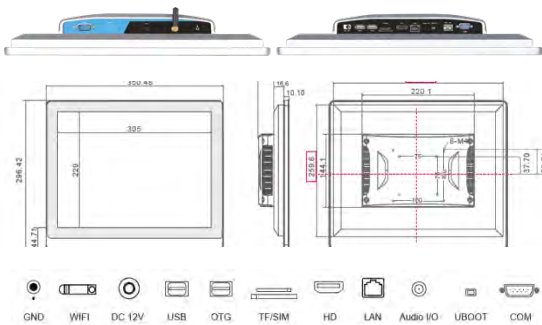
CPU	RockChip RK3399, Dual-2ore Cortex-A72 1.8GHz + Quad-2ore Cortex-A53 1.4GHz	RockChip RK3568, Quad-2ore 64-bit Cortex-A55 Core Architecture, up to 2.0GHz	RockChip RK3588, Octa-2ore 64-bit (4×Cortex-A76+4×Cortex-A55) at 2.4GHz
GPU	Mali-T860MP4	ARM Mali-G52 2EE	Mali-G610 MC4
NPU	-	Built-in NPU with 1TOPS AI computing power	Built-in NPU with 6TOPS AI Computing Power

RAM	4GB RAM (Onboard)	8GB RAM (Onboard)	8GB RAM (Onboard) Optional 16GB
NPU			
Storage	64GB eMMC (Onboard)	128GB eMMC (Onboard)	64GB eMMC (Onboard) Optional 128GB
Wi-Fi - Bluetooth	2.4GHz / 5.0GHz Dual Bands BT 4.0	2.4GHz / 5.0GHz Dual Bands BT 4.0	2.4GHz / 5.0GHz Dual Bands BT 4.0
Operating System	Android 7.1/9.0/11/ Ubuntu18.04/Debian10.0/ Linux4.4+QT	Android 12.0/ Linux 5.10	Android 12.0

Working Temperature	-10°C~60°C
Storage Temperature	-20°C~70°C
Relative Humidity	95% Non-Condensing
Vibration Protection	IEC 60068-2-64, 5 ~ 500 Hz, 1 hr/axis
Product Certification	CCC/CE/FCC/EMC/CB/ROHS
Impact Protection	IEC 60068-2-27, Half sine wave F 11ms
Product Certification	CCC/CE/FCC/EMC/CB/ROHS



DIMENSIONS AND INTERFACES



PRODUCT INSTALLATION TYPES



Embedded Installation	Wall Mounted Installation	Desktop Installation	Louver Installation	Cantilever Installation	Boom Type Installation
-----------------------	---------------------------	----------------------	---------------------	-------------------------	------------------------

ANDROID PANEL PC

IPC4-156AFC

IPC4 Android operating system-based industrial computers are all of which incorporate our independently developed industrial motherboards. With various configuration options to suit a wide array of application requirements, these computers boast a 3mm ultra-thin front frame that seamlessly integrates with various cabinet equipment. Their aluminum alloy structure, fanless fully closed design, and front panel with a pure flat wire drawing process ensure both durability and an elegant appearance. In addition, these systems are equipped with dust prevention and waterproof features, making them suitable for various environments. Furthermore, they offer excellent scalability, practicality, and EMC compatibility, making them a versatile choice for your computing needs.

FEATURES

- Ultra-slim 3mm Front Bezel for Embedded Cabinets
- IP65 Dust-Proof and Waterproof Flat Panel
- Industrial Motherboard with ARM Architecture
- EMC Anti-Electromagnetic Interference Compliance
- Industrial-Grade Protection for Versatile Environments
- SDK Package Included for Secondary Development Support
- Ultra-slim 3mm Front Bezel for Embedded Cabinets
- IP65 Dust-Proof and Waterproof Flat Panel



PRODUCT SPECIFICATIONS

Screen Parameters

LCD Size	15.6" TFT LCD
Resolution	1920×1080
Viewing Angle	85/85/85/85 (L/R/U/D)
Colour	16.7M
Brightness	300 cd/m ²
Contrast Ratio	800:1

Interface

HDMI	1* HDMI, Support HDMI Data Output, 1080p
USB	1*USB HOST + 1*USB OTG
LAN	2* LAN, Dual 1000M Adaptive Ethernet
AUDIO	1* Audio I/O, Support Audio Input and Output
Serial Port	2* RS232
Restart Key	Support (1*UBOOT)

Touch Screen

Touch Screen Type	10 Point Touch PCAP & Resistive
Light Transmittance	≥88%
Input Mode	Handwriting or Capacitive Pen
Controller Communication	USB

Power Parameters

Input Voltage	DC 12V
Static Power	18W

Dimensions

Outer	W 389.6 x H 264 x D 60.0 mm
Cut-Out	W 371.8 x H 235.5 mm

PRODUCT ORDERING CODES

Processor CPU	Body Color: Black		Body Color: Silver	
	PCAP	Resistive	PCAP	Resistive
RockChip RK3399	IPC4-156AFC-210-3399	IPC4-156AFC-220-3399	IPC4-156AFC-211-3399	IPC4-156AFC-221-3399
RockChip RK3568	IPC4-156AFC-210-3568	IPC4-156AFC-220-3568	IPC4-156AFC-211-3568	IPC4-156AFC-221-3568
RockChip RK3588	IPC4-156AFC-210-3588	IPC4-156AFC-220-3588	IPC4-156AFC-211-3588	IPC4-156AFC-221-3588

ANDROID PANEL PC

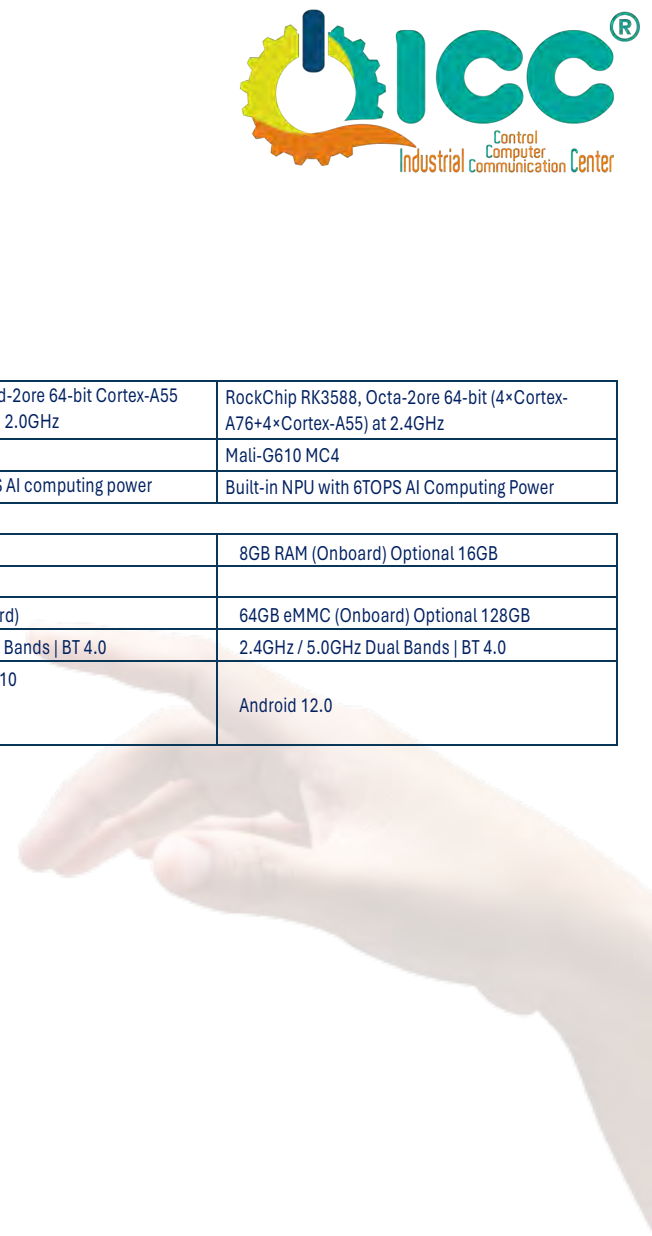
PROCESSOR MODELS | CPU



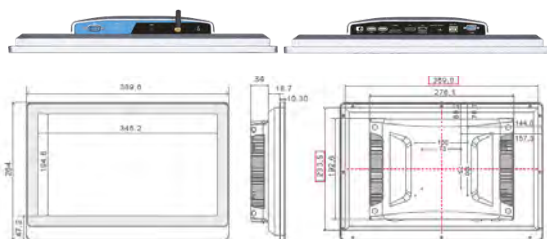
CPU	RockChip RK3399, Dual-2core Cortex-A72 1.8GHz + Quad-2core Cortex-A53 1.4GHz	RockChip RK3568, Quad-2core 64-bit Cortex-A55 Core Architecture, up to 2.0GHz	RockChip RK3588, Octa-2core 64-bit (4×Cortex-A76+4×Cortex-A55) at 2.4GHz
GPU	Mali-T860MP4	ARM Mali-G52 2EE	Mali-G610 MC4
NPU	-	Built-in NPU with 1TOPS AI computing power	Built-in NPU with 6TOPS AI Computing Power

RAM	4GB RAM (Onboard)	8GB RAM (Onboard)	8GB RAM (Onboard) Optional 16GB
NPU			
Storage	64GB eMMC (Onboard)	128GB eMMC (Onboard)	64GB eMMC (Onboard) Optional 128GB
Wi-Fi - Bluetooth	2.4GHz / 5.0GHz Dual Bands BT 4.0	2.4GHz / 5.0GHz Dual Bands BT 4.0	2.4GHz / 5.0GHz Dual Bands BT 4.0
Operating System	Android 7.1/9.0/11/ Ubuntu18.04/Debian10.0/ Linux4.4+QT	Android 12.0/ Linux 5.10	Android 12.0

Working Temperature	-10°C~60°C
Storage Temperature	-20°C~70°C
Relative Humidity	95% Non-Condensing
Vibration Protection	IEC 60068-2-64, 5 ~ 500 Hz, 1 hr/axis
Product Certification	CCC/CE/FCC/EMC/CB/ROHS
Impact Protection	IEC 60068-2-27, Half sine wave F 11ms
Product Certification	CCC/CE/FCC/EMC/CB/ROHS



DIMENSIONS AND INTERFACES



PRODUCT INSTALLATION TYPES



Embedded Installation	Wall Mounted Installation	Desktop Installation	Louver Installation	Cantilever Installation	Boom Type Installation
-----------------------	---------------------------	----------------------	---------------------	-------------------------	------------------------

ANDROID PANEL PC

IPC4-170AFC

IPC4 Android operating system-based industrial computers are all of which incorporate our independently developed industrial motherboards. With various configuration options to suit a wide array of application requirements, these computers boast a 3mm ultra-thin front frame that seamlessly integrates with various cabinet equipment. Their aluminum alloy structure, fanless fully closed design, and front panel with a pure flat wire drawing process ensure both durability and an elegant appearance. In addition, these systems are equipped with dust prevention and waterproof features, making them suitable for various environments. Furthermore, they offer excellent scalability, practicality, and EMC compatibility, making them a versatile choice for your computing needs.

FEATURES

- Ultra-slim 3mm Front Bezel for Embedded Cabinets
- IP65 Dust-Proof and Waterproof Flat Panel
- Industrial Motherboard with ARM Architecture
- EMC Anti-Electromagnetic Interference Compliance
- Industrial-Grade Protection for Versatile Environments
- SDK Package Included for Secondary Development Support
- Ultra-slim 3mm Front Bezel for Embedded Cabinets
- IP65 Dust-Proof and Waterproof Flat Panel



PRODUCT SPECIFICATIONS

Screen Parameters

LCD Size	17" TFT LCD
Resolution	1280×1024
Viewing Angle	85/85/80/70 (L/R/U/D)
Colour	16.7M
Brightness	300 cd/m ²
Contrast Ratio	1000:1

Interface

HDMI	1* HDMI, Support HDMI Data Output, 1080p
USB	1*USB HOST + 1*USB OTG
LAN	2* LAN, Dual 1000M Adaptive Ethernet
AUDIO	1* Audio I/O, Support Audio Input and Output
Serial Port	2* RS232
Restart Key	Support (1*UBOOT)

Touch Screen

Touch Screen Type	10 Point Touch PCAP & Resistive
Light Transmittance	≥88%
Input Mode	Handwriting or Capacitive Pen
Controller Communication	USB

Power Parameters

Input Voltage	DC 12V
Static Power	18W

Dimensions

Outer	W 383.3 x H 340.7 x D 61.9 mm
Cut-Out	W 367 x H 304 mm

PRODUCT ORDERING CODES

Processor CPU	Body Color: Black		Body Color: Silver	
	PCAP	Resistive	PCAP	Resistive
RockChip RK3399	IPC4-170AFC-210-3399	IPC4-170AFC-220-3399	IPC4-170AFC-211-3399	IPC4-170AFC-221-3399
RockChip RK3568	IPC4-170AFC-210-3568	IPC4-170AFC-220-3568	IPC4-170AFC-211-3568	IPC4-170AFC-221-3568
RockChip RK3588	IPC4-170AFC-210-3588	IPC4-170AFC-220-3588	IPC4-170AFC-211-3588	IPC4-170AFC-221-3588

ANDROID PANEL PC

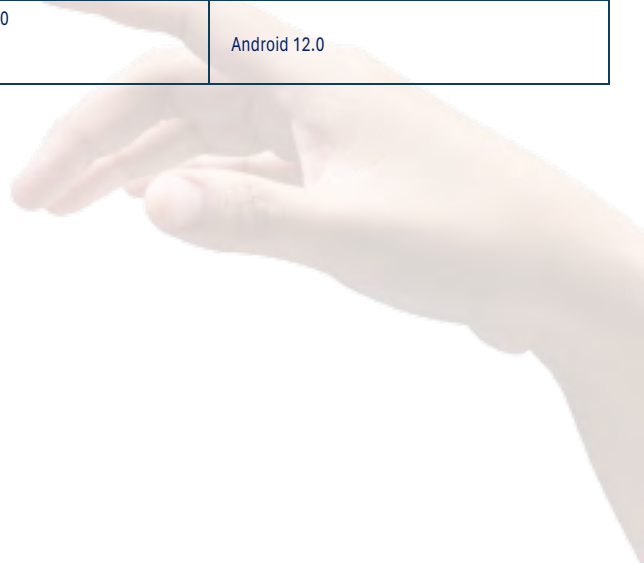
PROCESSOR MODELS | CPU



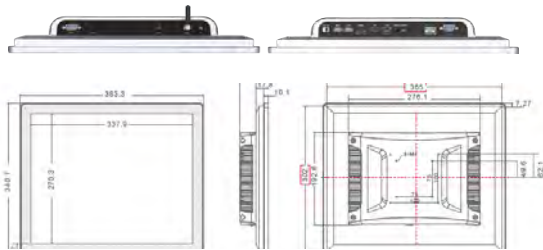
CPU	RockChip RK3399, Dual-2core Cortex-A72 1.8GHz + Quad-2core Cortex-A53 1.4GHz	RockChip RK3568, Quad-2core 64-bit Cortex-A55 Core Architecture, up to 2.0GHz	RockChip RK3588, Octa-2core 64-bit (4×Cortex-A76+4×Cortex-A55) at 2.4GHz
GPU	Mali-T860MP4	ARM Mali-G52 2EE	Mali-G610 MC4
NPU	-	Built-in NPU with 1TOPS AI computing power	Built-in NPU with 6TOPS AI Computing Power

RAM	4GB RAM (Onboard)	8GB RAM (Onboard)	8GB RAM (Onboard) Optional 16GB
NPU			
Storage	64GB eMMC (Onboard)	128GB eMMC (Onboard)	64GB eMMC (Onboard) Optional 128GB
Wi-Fi - Bluetooth	2.4GHz / 5.0GHz Dual Bands BT 4.0	2.4GHz / 5.0GHz Dual Bands BT 4.0	2.4GHz / 5.0GHz Dual Bands BT 4.0
Operating System	Android 7.1/9.0/11/ Ubuntu18.04/Debian10.0/ Linux4.4+QT	Android 12.0/ Linux 5.10	Android 12.0

Working Temperature	-10°C~60°C
Storage Temperature	-20°C~70°C
Relative Humidity	95% Non-Condensing
Vibration Protection	IEC 60068-2-64, 5 ~ 500 Hz, 1 hr/axis
Product Certification	CCC/CE/FCC/EMC/CB/ROHS
Impact Protection	IEC 60068-2-27, Half sine wave F 11ms
Product Certification	CCC/CE/FCC/EMC/CB/ROHS



DIMENSIONS AND INTERFACES



PRODUCT INSTALLATION TYPES



Embedded Installation	Wall Mounted Installation	Desktop Installation	Louver Installation	Cantilever Installation	Boom Type Installation
-----------------------	---------------------------	----------------------	---------------------	-------------------------	------------------------

ANDROID PANEL PC

IPC4-173AFC

IPC4 Android operating system-based industrial computers are all of which incorporate our independently developed industrial motherboards. With various configuration options to suit a wide array of application requirements, these computers boast a 3mm ultra-thin front frame that seamlessly integrates with various cabinet equipment. Their aluminum alloy structure, fanless fully closed design, and front panel with a pure flat wire drawing process ensure both durability and an elegant appearance. In addition, these systems are equipped with dust prevention and waterproof features, making them suitable for various environments. Furthermore, they offer excellent scalability, practicality, and EMC compatibility, making them a versatile choice for your computing needs.

FEATURES

- Ultra-slim 3mm Front Bezel for Embedded Cabinets
- IP65 Dust-Proof and Waterproof Flat Panel
- Industrial Motherboard with ARM Architecture
- EMC Anti-Electromagnetic Interference Compliance
- Industrial-Grade Protection for Versatile Environments
- SDK Package Included for Secondary Development Support
- Ultra-slim 3mm Front Bezel for Embedded Cabinets
- IP65 Dust-Proof and Waterproof Flat Panel



PRODUCT SPECIFICATIONS

Screen Parameters

LCD Size	17.3" TFT LCD
Resolution	1920×1080
Viewing Angle	80/80/60/80 (L/R/U/D)
Colour	16.7M
Brightness	300 cd/m ²
Contrast Ratio	600:1

Interface

HDMI	1* HDMI, Support HDMI Data Output, 1080p
USB	1*USB HOST + 1*USB OTG
LAN	2* LAN, Dual 1000M Adaptive Ethernet
AUDIO	1* Audio I/O, Support Audio Input and Output
Serial Port	2* RS232
Restart Key	Support (1*UBOOT)

Touch Screen

Touch Screen Type	10 Point Touch PCAP & Resistive
Light Transmittance	≥88%
Input Mode	Handwriting or Capacitive Pen
Controller Communication	USB

Power Parameters

Input Voltage	DC 12V
Static Power	18W

Dimensions

Outer	W 427.7 x H 285.4 x D 67.4 mm
Cut-Out	W 411 x H 249.81 mm

PRODUCT ORDERING CODES

Processor CPU	Body Color: Black		Body Color: Silver	
	PCAP	Resistive	PCAP	Resistive
RockChip RK3399	IPC4-173AFC-210-3399	IPC4-173AFC-220-3399	IPC4-173AFC-211-3399	IPC4-173AFC-221-3399
RockChip RK3568	IPC4-173AFC-210-3568	IPC4-173AFC-220-3568	IPC4-173AFC-211-3568	IPC4-173AFC-221-3568
RockChip RK3588	IPC4-173AFC-210-3588	IPC4-173AFC-220-3588	IPC4-173AFC-211-3588	IPC4-173AFC-221-3588

ANDROID PANEL PC

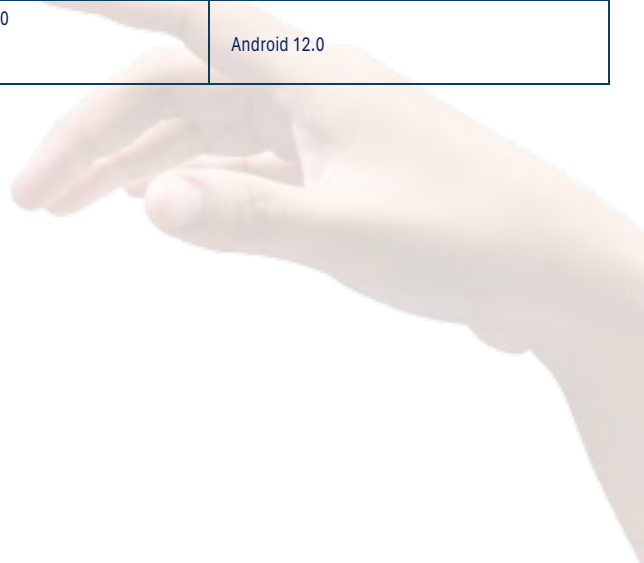
PROCESSOR MODELS | CPU



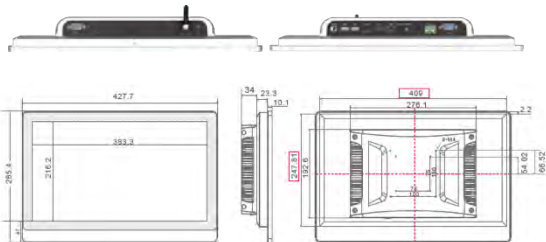
CPU	RockChip RK3399, Dual-2core Cortex-A72 1.8GHz + Quad-2core Cortex-A53 1.4GHz	RockChip RK3568, Quad-2core 64-bit Cortex-A55 Core Architecture, up to 2.0GHz	RockChip RK3588, Octa-2core 64-bit (4×Cortex-A76+4×Cortex-A55) at 2.4GHz
GPU	Mali-T860MP4	ARM Mali-G52 2EE	Mali-G610 MC4
NPU	-	Built-in NPU with 1TOPS AI computing power	Built-in NPU with 6TOPS AI Computing Power

RAM	4GB RAM (Onboard)	8GB RAM (Onboard)	8GB RAM (Onboard) Optional 16GB
NPU			
Storage	64GB eMMC (Onboard)	128GB eMMC (Onboard)	64GB eMMC (Onboard) Optional 128GB
Wi-Fi - Bluetooth	2.4GHz / 5.0GHz Dual Bands BT 4.0	2.4GHz / 5.0GHz Dual Bands BT 4.0	2.4GHz / 5.0GHz Dual Bands BT 4.0
Operating System	Android 7.1/9.0/11/ Ubuntu18.04/Debian10.0/ Linux4.4+QT	Android 12.0/ Linux 5.10	Android 12.0

Working Temperature	-10°C~60°C
Storage Temperature	-20°C~70°C
Relative Humidity	95% Non-Condensing
Vibration Protection	IEC 60068-2-64, 5 ~ 500 Hz, 1 hr/axis
Product Certification	CCC/CE/FCC/EMC/CB/ROHS
Impact Protection	IEC 60068-2-27, Half sine wave F 11ms
Product Certification	CCC/CE/FCC/EMC/CB/ROHS



DIMENSIONS AND INTERFACES



PRODUCT INSTALLATION TYPES



Embedded Installation	Wall Mounted Installation	Desktop Installation	Louver Installation	Cantilever Installation	Boom Type Installation
-----------------------	---------------------------	----------------------	---------------------	-------------------------	------------------------

ANDROID PANEL PC

IPC4-190AFC

IPC4 Android operating system-based industrial computers are all of which incorporate our independently developed industrial motherboards. With various configuration options to suit a wide array of application requirements, these computers boast a 3mm ultra-thin front frame that seamlessly integrates with various cabinet equipment. Their aluminum alloy structure, fanless fully closed design, and front panel with a pure flat wire drawing process ensure both durability and an elegant appearance. In addition, these systems are equipped with dust prevention and waterproof features, making them suitable for various environments. Furthermore, they offer excellent scalability, practicality, and EMC compatibility, making them a versatile choice for your computing needs.

FEATURES

- Ultra-slim 3mm Front Bezel for Embedded Cabinets
- IP65 Dust-Proof and Waterproof Flat Panel
- Industrial Motherboard with ARM Architecture
- EMC Anti-Electromagnetic Interference Compliance
- Industrial-Grade Protection for Versatile Environments
- SDK Package Included for Secondary Development Support
- Ultra-slim 3mm Front Bezel for Embedded Cabinets
- IP65 Dust-Proof and Waterproof Flat Panel



PRODUCT SPECIFICATIONS

Screen Parameters

LCD Size	19" TFT LCD
Resolution	1280×1024
Viewing Angle	85/85/80/80 (L/R/U/D)
Colour	16.7M
Brightness	300 cd/m ²
Contrast Ratio	1000:1

Interface

HDMI	1* HDMI, Support HDMI Data Output, 1080p
USB	1*USB HOST + 1*USB OTG
LAN	2* LAN, Dual 1000M Adaptive Ethernet
AUDIO	1* Audio I/O, Support Audio Input and Output
Serial Port	2* RS232
Restart Key	Support (1*UBOOT)

Touch Screen

Touch Screen Type	10 Point Touch PCAP & Resistive
Light Transmittance	≥88%
Input Mode	Handwriting or Capacitive Pen
Controller Communication	USB

Power Parameters

Input Voltage	DC 12V
Static Power	18W

Dimensions

Outer	W 423.3 x H 372.9 x D 59.0 mm
Cut-Out	W 404 x H 331 mm

PRODUCT ORDERING CODES

Processor CPU	Body Color: Black		Body Color: Silver	
	PCAP	Resistive	PCAP	Resistive
RockChip RK3399	IPC4-190AFC-210-3399	IPC4-190AFC-220-3399	IPC4-190AFC-211-3399	IPC4-190AFC-221-3399
RockChip RK3568	IPC4-190AFC-210-3568	IPC4-190AFC-220-3568	IPC4-190AFC-211-3568	IPC4-190AFC-221-3568
RockChip RK3588	IPC4-190AFC-210-3588	IPC4-190AFC-220-3588	IPC4-190AFC-211-3588	IPC4-190AFC-221-3588

ANDROID PANEL PC

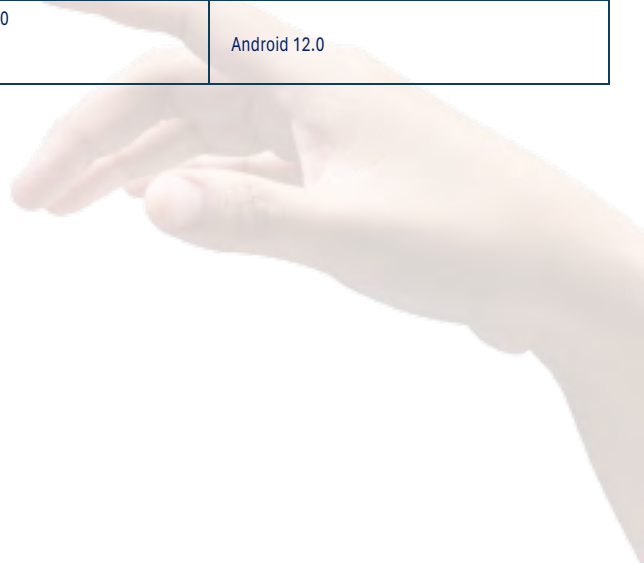
PROCESSOR MODELS | CPU



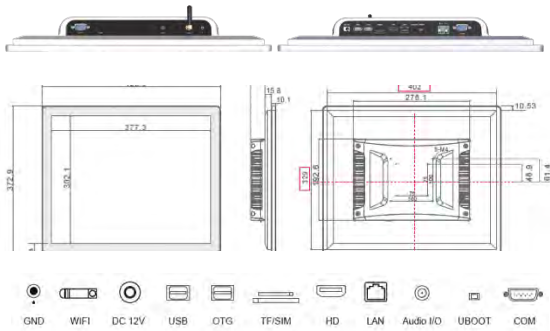
CPU	RockChip RK3399, Dual-2core Cortex-A72 1.8GHz + Quad-2core Cortex-A53 1.4GHz	RockChip RK3568, Quad-2core 64-bit Cortex-A55 Core Architecture, up to 2.0GHz	RockChip RK3588, Octa-2core 64-bit (4×Cortex-A76+4×Cortex-A55) at 2.4GHz
GPU	Mali-T860MP4	ARM Mali-G52 2EE	Mali-G610 MC4
NPU	-	Built-in NPU with 1TOPS AI computing power	Built-in NPU with 6TOPS AI Computing Power

RAM	4GB RAM (Onboard)	8GB RAM (Onboard)	8GB RAM (Onboard) Optional 16GB
NPU			
Storage	64GB eMMC (Onboard)	128GB eMMC (Onboard)	64GB eMMC (Onboard) Optional 128GB
Wi-Fi - Bluetooth	2.4GHz / 5.0GHz Dual Bands BT 4.0	2.4GHz / 5.0GHz Dual Bands BT 4.0	2.4GHz / 5.0GHz Dual Bands BT 4.0
Operating System	Android 7.1/9.0/11/ Ubuntu18.04/Debian10.0/ Linux4.4+QT	Android 12.0/ Linux 5.10	Android 12.0

Working Temperature	-10°C~60°C
Storage Temperature	-20°C~70°C
Relative Humidity	95% Non-Condensing
Vibration Protection	IEC 60068-2-64, 5 ~ 500 Hz, 1 hr/axis
Product Certification	CCC/CE/FCC/EMC/CB/ROHS
Impact Protection	IEC 60068-2-27, Half sine wave F 11ms
Product Certification	CCC/CE/FCC/EMC/CB/ROHS



DIMENSIONS AND INTERFACES



PRODUCT INSTALLATION TYPES



Embedded Installation	Wall Mounted Installation	Desktop Installation	Louver Installation	Cantilever Installation	Boom Type Installation
-----------------------	---------------------------	----------------------	---------------------	-------------------------	------------------------

ANDROID PANEL PC

IPC4-191AFC

IPC4 Android operating system-based industrial computers are all of which incorporate our independently developed industrial motherboards. With various configuration options to suit a wide array of application requirements, these computers boast a 3mm ultra-thin front frame that seamlessly integrates with various cabinet equipment. Their aluminum alloy structure, fanless fully closed design, and front panel with a pure flat wire drawing process ensure both durability and an elegant appearance. In addition, these systems are equipped with dust prevention and waterproof features, making them suitable for various environments. Furthermore, they offer excellent scalability, practicality, and EMC compatibility, making them a versatile choice for your computing needs.

FEATURES

- Ultra-slim 3mm Front Bezel for Embedded Cabinets
- IP65 Dust-Proof and Waterproof Flat Panel
- Industrial Motherboard with ARM Architecture
- EMC Anti-Electromagnetic Interference Compliance
- Industrial-Grade Protection for Versatile Environments
- SDK Package Included for Secondary Development Support
- Ultra-slim 3mm Front Bezel for Embedded Cabinets
- IP65 Dust-Proof and Waterproof Flat Panel



PRODUCT SPECIFICATIONS

Screen Parameters

LCD Size	19.1" TFT LCD
Resolution	1440×900
Viewing Angle	80/80/80/80 (L/R/U/D)
Colour	16.7M
Brightness	300 cd/m ²
Contrast Ratio	1000:1

Interface

HDMI	1* HDMI, Support HDMI Data Output, 1080p
USB	1*USB HOST + 1*USB OTG
LAN	2* LAN, Dual 1000M Adaptive Ethernet
AUDIO	1* Audio I/O, Support Audio Input and Output
Serial Port	2* RS232
Restart Key	Support (1*UBOOT)

Touch Screen

Touch Screen Type	10 Point Touch PCAP & Resistive
Light Transmittance	≥88%
Input Mode	Handwriting or Capacitive Pen
Controller Communication	USB

Power Parameters

Input Voltage	DC 12V
Static Power	18W

Dimensions

Outer	W 455.5 x H 328.2 x D 60.8 mm
Cut-Out	W 436 x H 287 mm

PRODUCT ORDERING CODES

Processor CPU	Body Color: Black		Body Color: Silver	
	PCAP	Resistive	PCAP	Resistive
RockChip RK3399	IPC4-191AFC-210-3399	IPC4-191AFC-220-3399	IPC4-191AFC-211-3399	IPC4-191AFC-221-3399
RockChip RK3568	IPC4-191AFC-210-3568	IPC4-191AFC-220-3568	IPC4-191AFC-211-3568	IPC4-191AFC-221-3568
RockChip RK3588	IPC4-191AFC-210-3588	IPC4-191AFC-220-3588	IPC4-191AFC-211-3588	IPC4-191AFC-221-3588

ANDROID PANEL PC

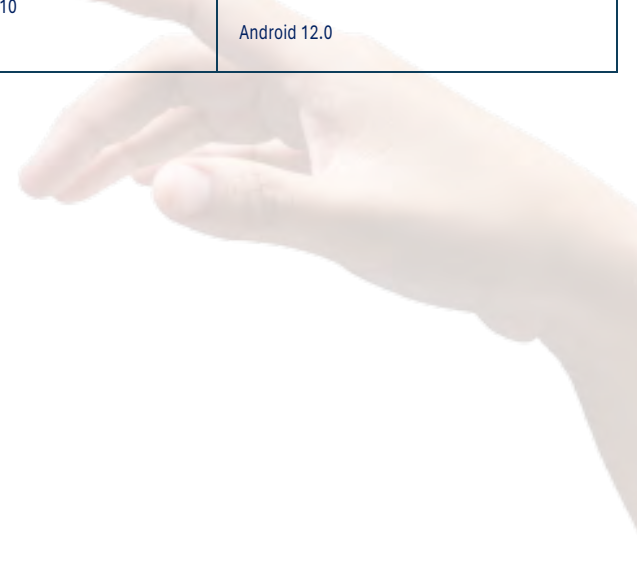
PROCESSOR MODELS | CPU



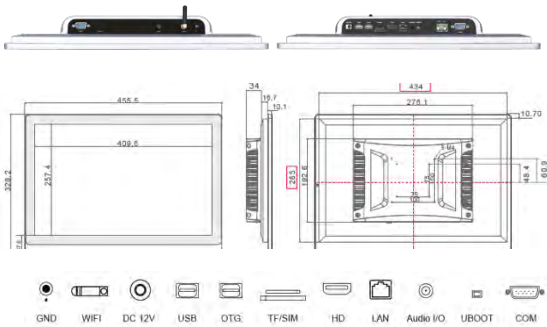
CPU	RockChip RK3399, Dual-2core Cortex-A72 1.8GHz + Quad-2core Cortex-A53 1.4GHz	RockChip RK3568, Quad-2core 64-bit Cortex-A55 Core Architecture, up to 2.0GHz	RockChip RK3588, Octa-2core 64-bit (4×Cortex-A76+4×Cortex-A55) at 2.4GHz
GPU	Mali-T860MP4	ARM Mali-G52 2EE	Mali-G610 MC4
NPU	-	Built-in NPU with 1TOPS AI computing power	Built-in NPU with 6TOPS AI Computing Power

RAM	4GB RAM (Onboard)	8GB RAM (Onboard)	8GB RAM (Onboard) Optional 16GB
NPU			
Storage	64GB eMMC (Onboard)	128GB eMMC (Onboard)	64GB eMMC (Onboard) Optional 128GB
Wi-Fi - Bluetooth	2.4GHz / 5.0GHz Dual Bands BT 4.0	2.4GHz / 5.0GHz Dual Bands BT 4.0	2.4GHz / 5.0GHz Dual Bands BT 4.0
Operating System	Android 7.1/9.0/11/ Ubuntu18.04/Debian10.0/ Linux4.4+QT	Android 12.0/ Linux 5.10	Android 12.0

Working Temperature	-10°C~60°C
Storage Temperature	-20°C~70°C
Relative Humidity	95% Non-Condensing
Vibration Protection	IEC 60068-2-64, 5 ~ 500 Hz, 1 hr/axis
Product Certification	CCC/CE/FCC/EMC/CB/ROHS
Impact Protection	IEC 60068-2-27, Half sine wave F 11ms
Product Certification	CCC/CE/FCC/EMC/CB/ROHS



DIMENSIONS AND INTERFACES



PRODUCT INSTALLATION TYPES



Embedded Installation	Wall Mounted Installation	Desktop Installation	Louver Installation	Cantilever Installation	Boom Type Installation
-----------------------	---------------------------	----------------------	---------------------	-------------------------	------------------------

ANDROID PANEL PC

IPC4-215AFC

IPC4 Android operating system-based industrial computers are all of which incorporate our independently developed industrial motherboards. With various configuration options to suit a wide array of application requirements, these computers boast a 3mm ultra-thin front frame that seamlessly integrates with various cabinet equipment. Their aluminum alloy structure, fanless fully closed design, and front panel with a pure flat wire drawing process ensure both durability and an elegant appearance. In addition, these systems are equipped with dust prevention and waterproof features, making them suitable for various environments. Furthermore, they offer excellent scalability, practicality, and EMC compatibility, making them a versatile choice for your computing needs.

FEATURES

- Ultra-slim 3mm Front Bezel for Embedded Cabinets
- IP65 Dust-Proof and Waterproof Flat Panel
- Industrial Motherboard with ARM Architecture
- EMC Anti-Electromagnetic Interference Compliance
- Industrial-Grade Protection for Versatile Environments
- SDK Package Included for Secondary Development Support
- Ultra-slim 3mm Front Bezel for Embedded Cabinets
- IP65 Dust-Proof and Waterproof Flat Panel



PRODUCT SPECIFICATIONS

Screen Parameters

LCD Size	21.5" TFT LCD
Resolution	1920×1080
Viewing Angle	89/89/89/89 (L/R/U/D)
Colour	16.7M
Brightness	300 cd/m ²
Contrast Ratio	1000:1

Interface

HDMI	1* HDMI, Support HDMI Data Output, 1080p
USB	1*USB HOST + 1*USB OTG
LAN	2* LAN, Dual 1000M Adaptive Ethernet
AUDIO	1* Audio I/O, Support Audio Input and Output
Serial Port	2* RS232
Restart Key	Support (1*UBOOT)

Touch Screen

Touch Screen Type	10 Point Touch PCAP & Resistive
Light Transmittance	≥88%
Input Mode	Handwriting or Capacitive Pen
Controller Communication	USB

Power Parameters

Input Voltage	DC 12V-36V - Double Input (Not Redundant)
Static Power	18W

Dimensions

Outer	W 522.04 x H 345.0 x D 62.61 mm
Cut-Out	W 504.9 x H 304.2 mm

PRODUCT ORDERING CODES

Processor CPU	Body Color: Black		Body Color: Silver	
	PCAP	Resistive	PCAP	Resistive
RockChip RK3399	IPC4-215AFC-210-3399	IPC4-215AFC-220-3399	IPC4-215AFC-211-3399	IPC4-215AFC-221-3399
RockChip RK3568	IPC4-215AFC-210-3568	IPC4-215AFC-220-3568	IPC4-215AFC-211-3568	IPC4-215AFC-221-3568
RockChip RK3588	IPC4-215AFC-210-3588	IPC4-215AFC-220-3588	IPC4-215AFC-211-3588	IPC4-215AFC-221-3588

ANDROID PANEL PC

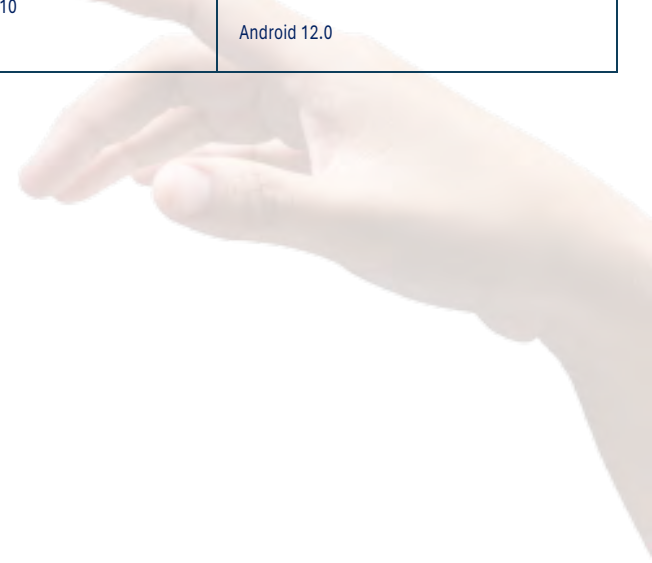
PROCESSOR MODELS | CPU



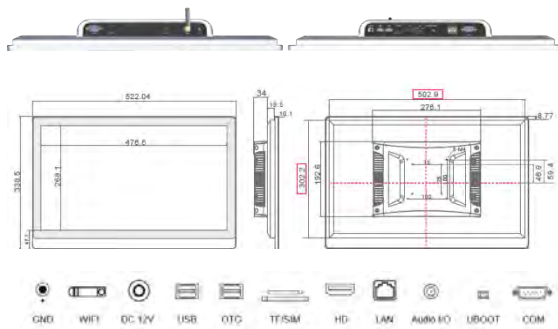
CPU	RockChip RK3399, Dual-2core Cortex-A72 1.8GHz + Quad-2core Cortex-A53 1.4GHz	RockChip RK3568, Quad-2core 64-bit Cortex-A55 Core Architecture, up to 2.0GHz	RockChip RK3588, Octa-2core 64-bit (4×Cortex-A76+4×Cortex-A55) at 2.4GHz
GPU	Mali-T860MP4	ARM Mali-G52 2EE	Mali-G610 MC4
NPU	-	Built-in NPU with 1TOPS AI computing power	Built-in NPU with 6TOPS AI Computing Power

RAM	4GB RAM (Onboard)	8GB RAM (Onboard)	8GB RAM (Onboard) Optional 16GB
NPU			
Storage	64GB eMMC (Onboard)	128GB eMMC (Onboard)	64GB eMMC (Onboard) Optional 128GB
Wi-Fi - Bluetooth	2.4GHz / 5.0GHz Dual Bands BT 4.0	2.4GHz / 5.0GHz Dual Bands BT 4.0	2.4GHz / 5.0GHz Dual Bands BT 4.0
Operating System	Android 7.1/9.0/11/ Ubuntu18.04/Debian10.0/ Linux4.4+QT	Android 12.0/ Linux 5.10	Android 12.0

Working Temperature	-10°C~60°C
Storage Temperature	-20°C~70°C
Relative Humidity	95% Non-Condensing
Vibration Protection	IEC 60068-2-64, 5 ~ 500 Hz, 1 hr/axis
Product Certification	CCC/CE/FCC/EMC/CB/ROHS
Impact Protection	IEC 60068-2-27, Half sine wave F 11ms
Product Certification	CCC/CE/FCC/EMC/CB/ROHS



DIMENSIONS AND INTERFACES



PRODUCT INSTALLATION TYPES



Embedded Installation	Wall Mounted Installation	Desktop Installation	Louver Installation	Cantilever Installation	Boom Type Installation
-----------------------	---------------------------	----------------------	---------------------	-------------------------	------------------------